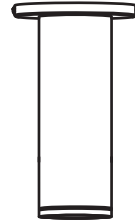


ELEMENT Cylinder 2" and 3" Surface Mount

EC_RS 1.0

VISUAL COMFORT & Co.

ARCHITECTURAL COLLECTION



GENERAL PRODUCT INFORMATION: 

This product is suitable for damp locations.

This product can be dimmed with a standard electronic dimmer or 0-10V dimmer.

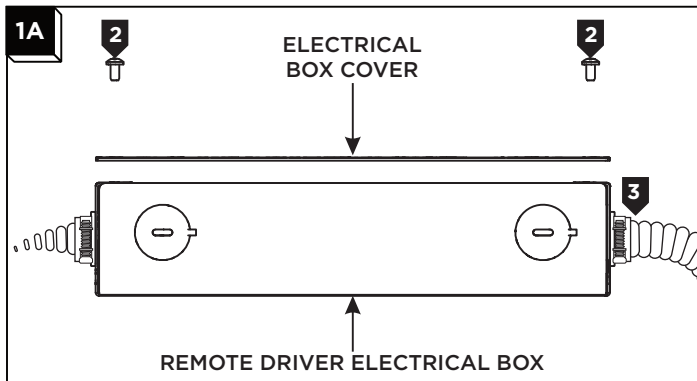
This instruction shows a typical installation.

CAUTION - RISK OF FIRE
 This product must be installed in accordance with the applicable installation code by a person familiar with the construction and operation of the product and the hazards involved.
Use minimum 90°C supply conductors.

SAVE THESE INSTRUCTIONS!

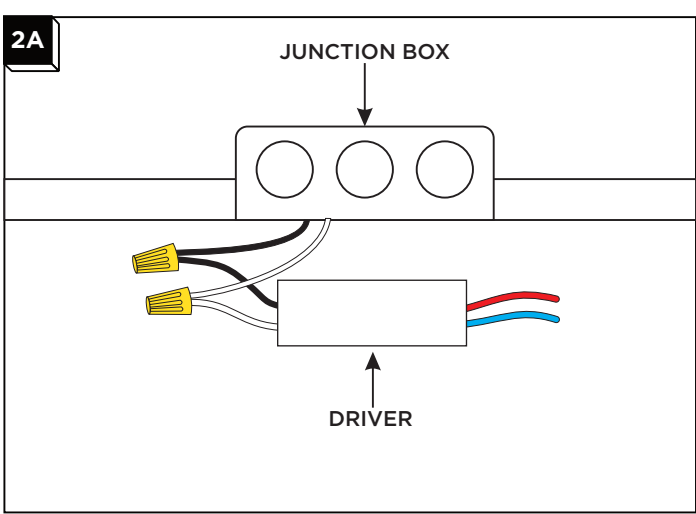
NOTE: driver size and junction box type will determine the driver location. Models that require a remote location must have the driver enclosure installed in advanced to installing the fixture and power lines must be drawn to the fixture mounting location. See section 5A for wiring information.

Prepare the Wiring (Remote Drivers)



- 1** Install the remote driver electrical box to an appropriate location in accordance with local electrical code.
- 2** Open remote driver junction box by removing 2 screws.
- 3** Connect conduit or Romex to junction box with the proper fittings
- 4** Use the wiring diagrams, on the following page, to wire the driver accordingly.
- 5** Pull low-voltage lines to fixture junction box location.

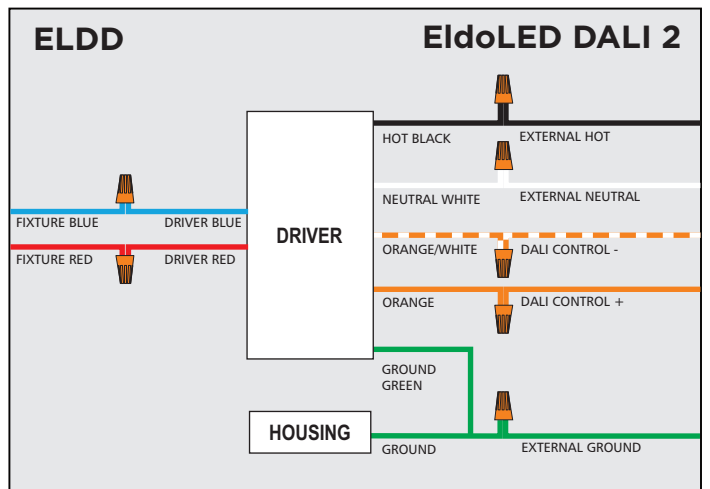
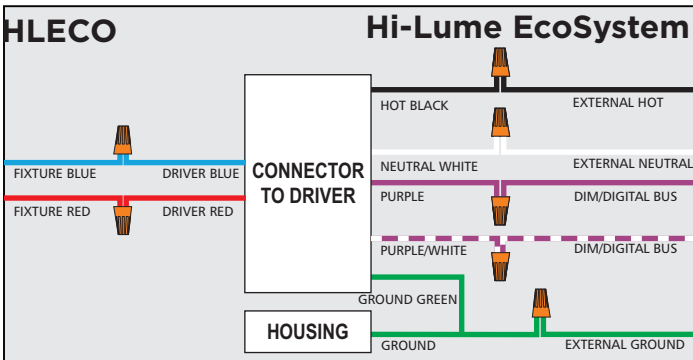
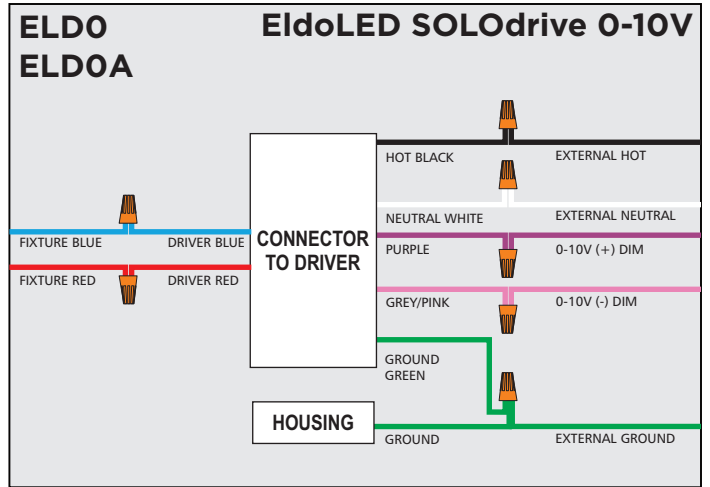
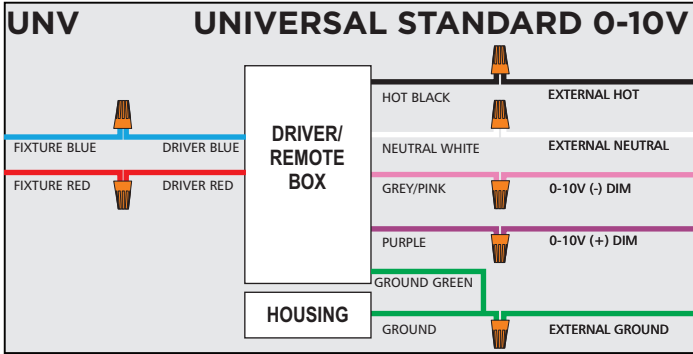
Prepare the Wiring (Driver in Junction Box)



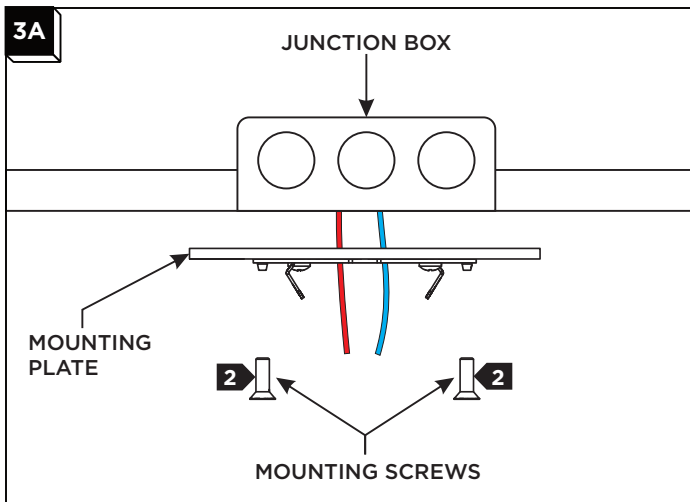
- 1** Use the wiring diagrams, on the following page, to wire the driver accordingly.

Wiring Diagrams

WARNING: Do not connect red and blue wires from fixture to line voltage.

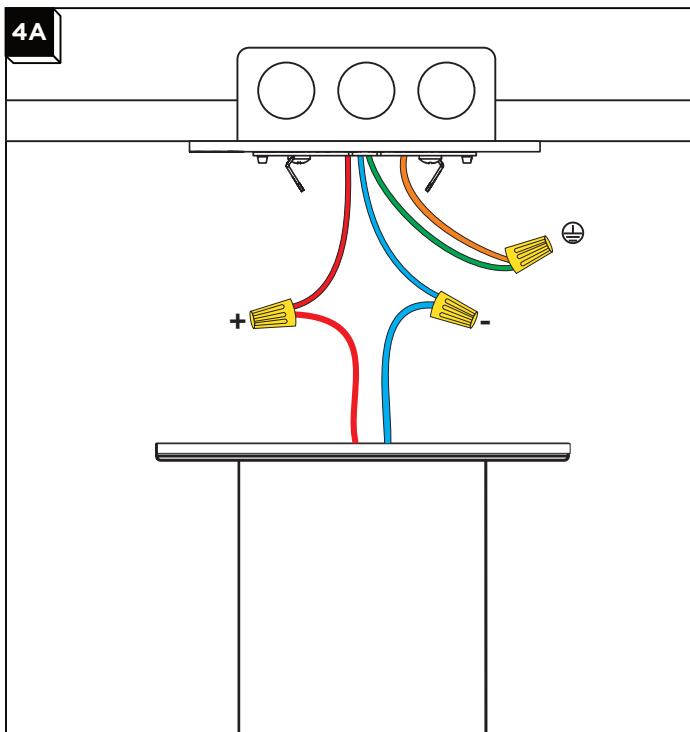


Install the Mounting Plate



- 1 For driver in junction box versions only: place the driver and wire nut connections properly inside the junction box.
- 2 Ensure that the low-voltage wires are accessible and install the mounting plate to junction box using the provided mounting screws.

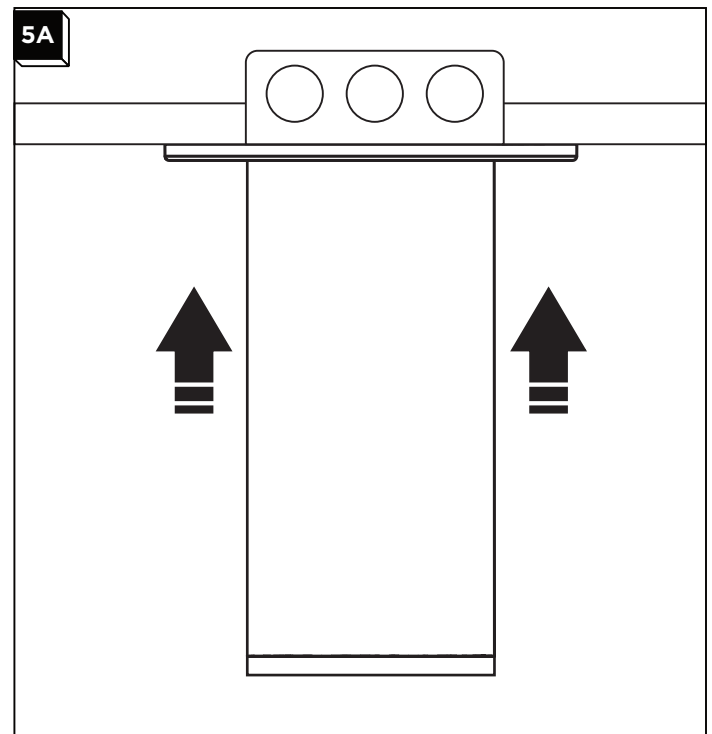
Wire the Fixture



- 1 Connect the fixture to the low voltage wires (see wiring diagrams).

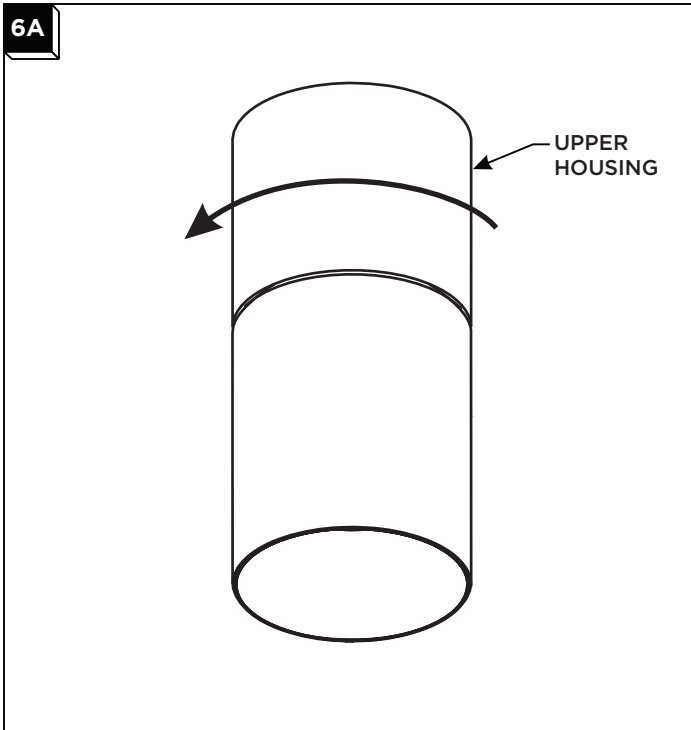
Caution: Make Sure to cap the 0-10V dimming wires if not being used.

Install the Fixture



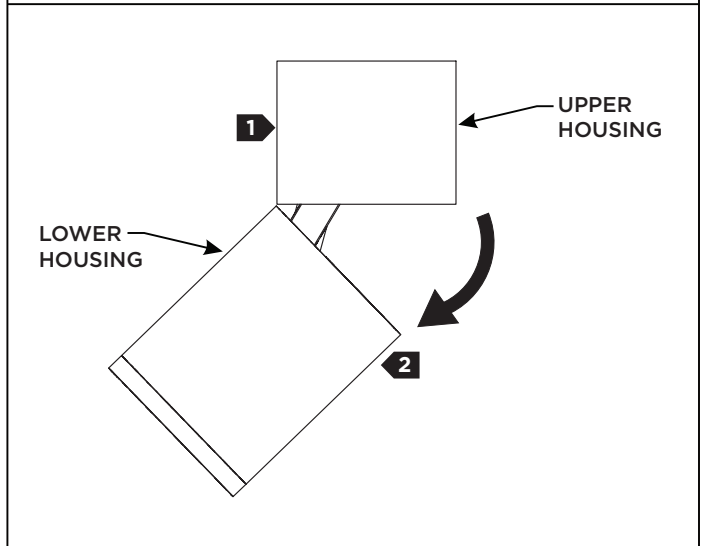
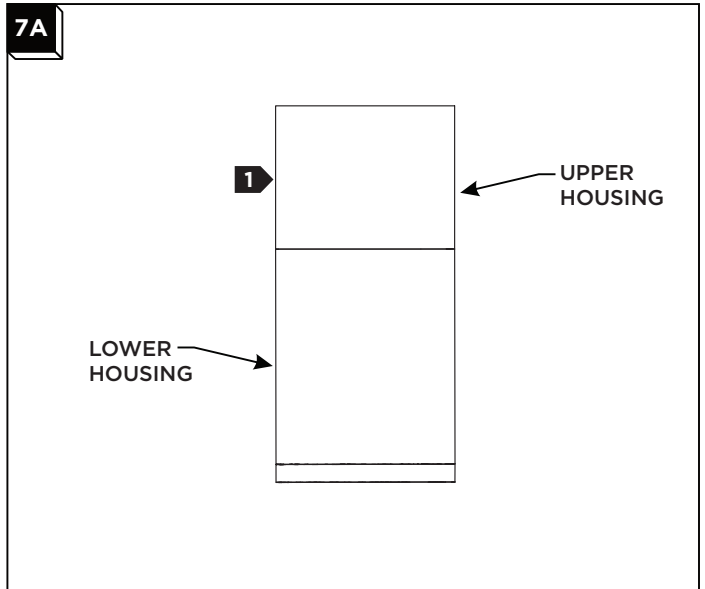
- 1 Neatly place the wires and wire nut connections into the junction box and push the top of the Cylinder up onto the mounting plate until the clips engages and firmly holds it in place.

Rotate the Cylinder



- 1 For the adjustable and 3" wall wash fixture: rotate the cylinder using the upper portion of the housing, up to 358°, to the desired light position.

Adjust the Angle (Adjustable only)

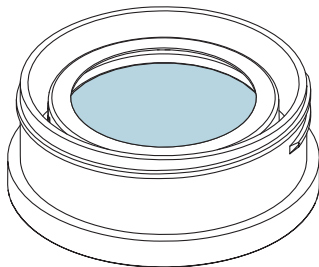
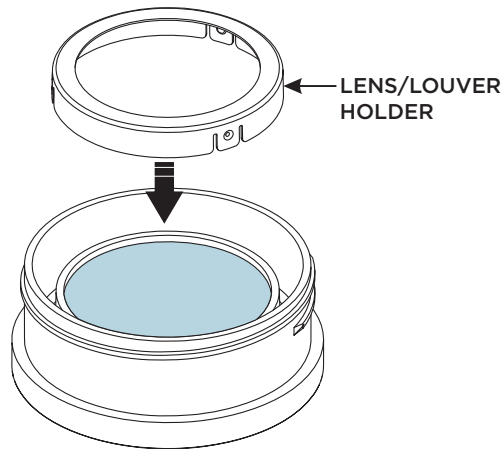
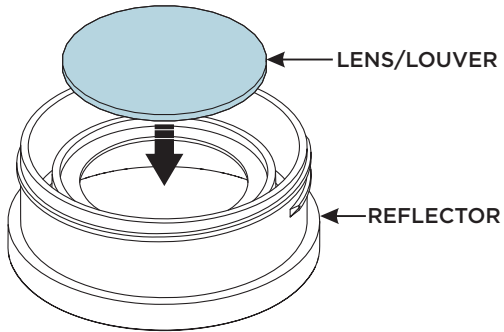


- 1 Hold the upper portion of the housing with one hand for support.
- 2 With the other hand, pull the lower portion of the housing away to adjust the tilt (0° - 90°). Note: the fixture may need to be rotated to see where the hinge is located.

Install the Reflector Accessory

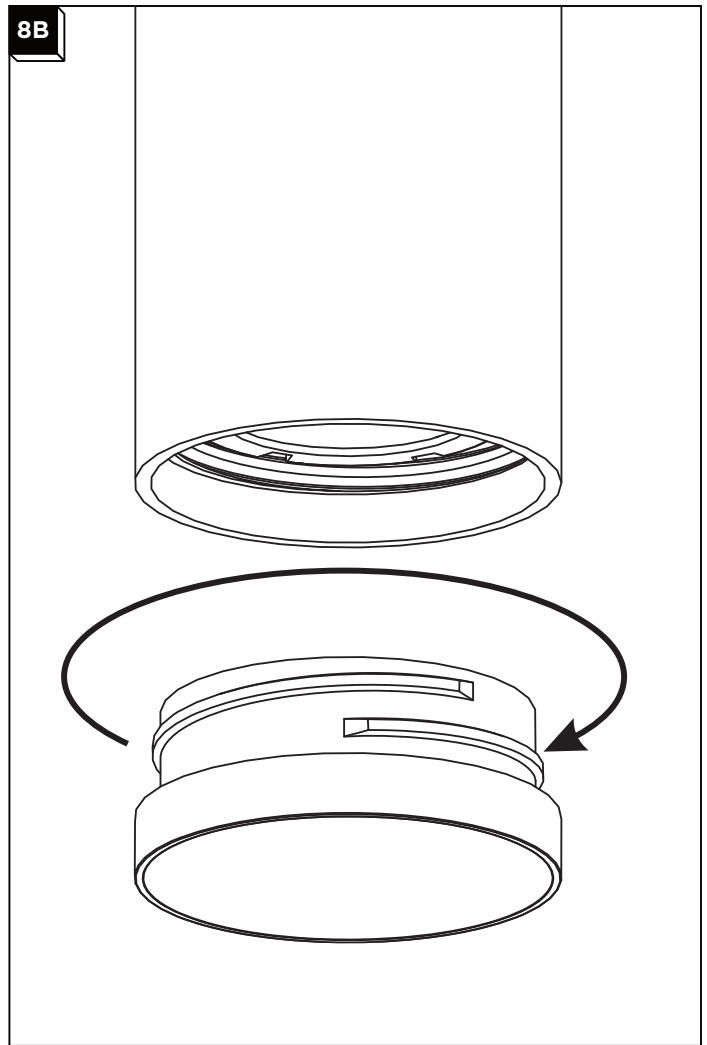
NOTE: Lenses and louvers are not compatible with decorative accessories.

8A



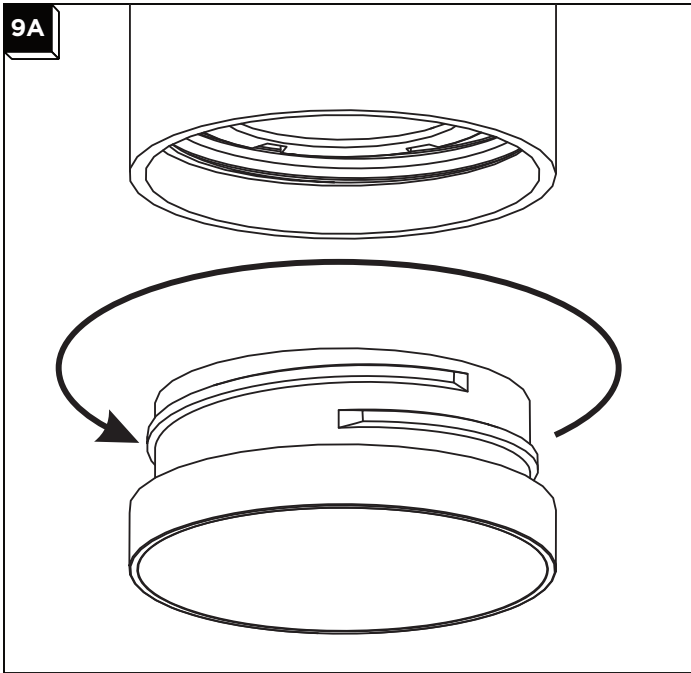
- 1 In the accessory reflector place the lens or louver.
- 2 Firmly press the lens holder down onto the lens or louver to secure it.

8B

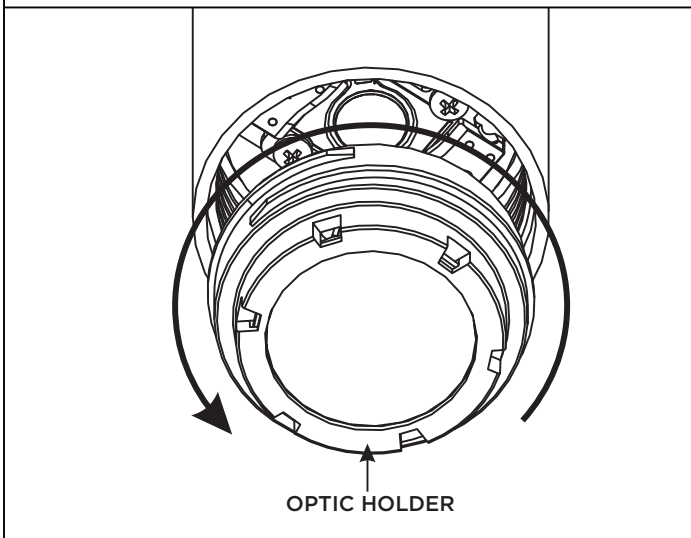
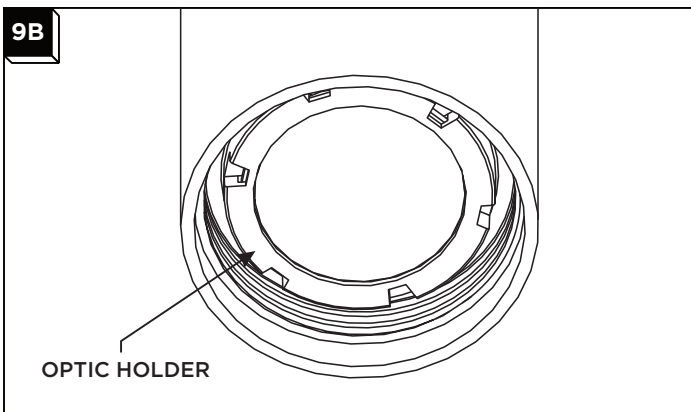


- 3 Install the reflector by inserting it into the bottom of the Cylinder and screw it in as far as it will go.

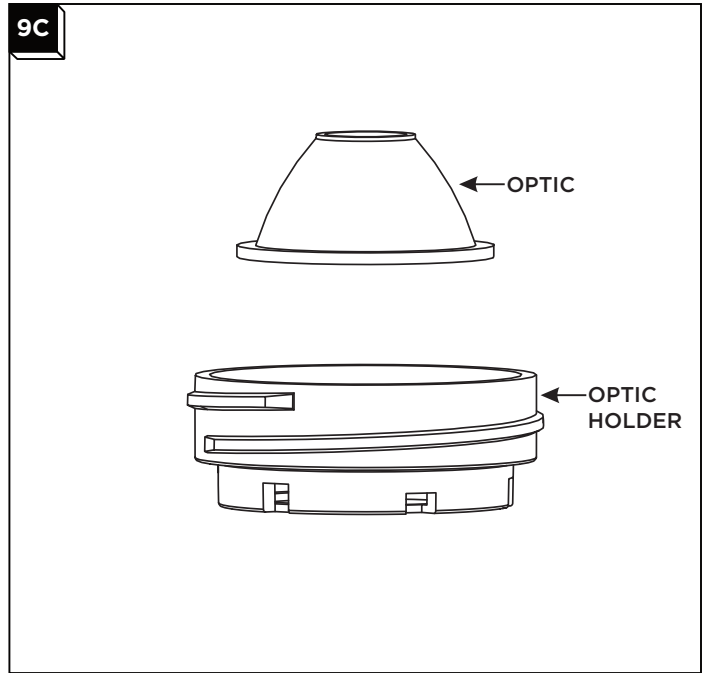
Replacing the Optic



- 1** Hold the main body of the Cylinder, unscrew and remove the reflector.



- 2** Unscrew the optic holder. Note: if the holder is too tight to initially turn by hand, a tool may be used to carefully turn it by grabbing one of the holes on the holder.



- 3** Remove the old optic and replace with new, ensuring it is seated evenly and properly in the holder.

- 4** Reinstall the reflector by inserting it into the bottom of the Cylinder and screw it in as far as it will go. (reversal of section 11A).

Notes:

